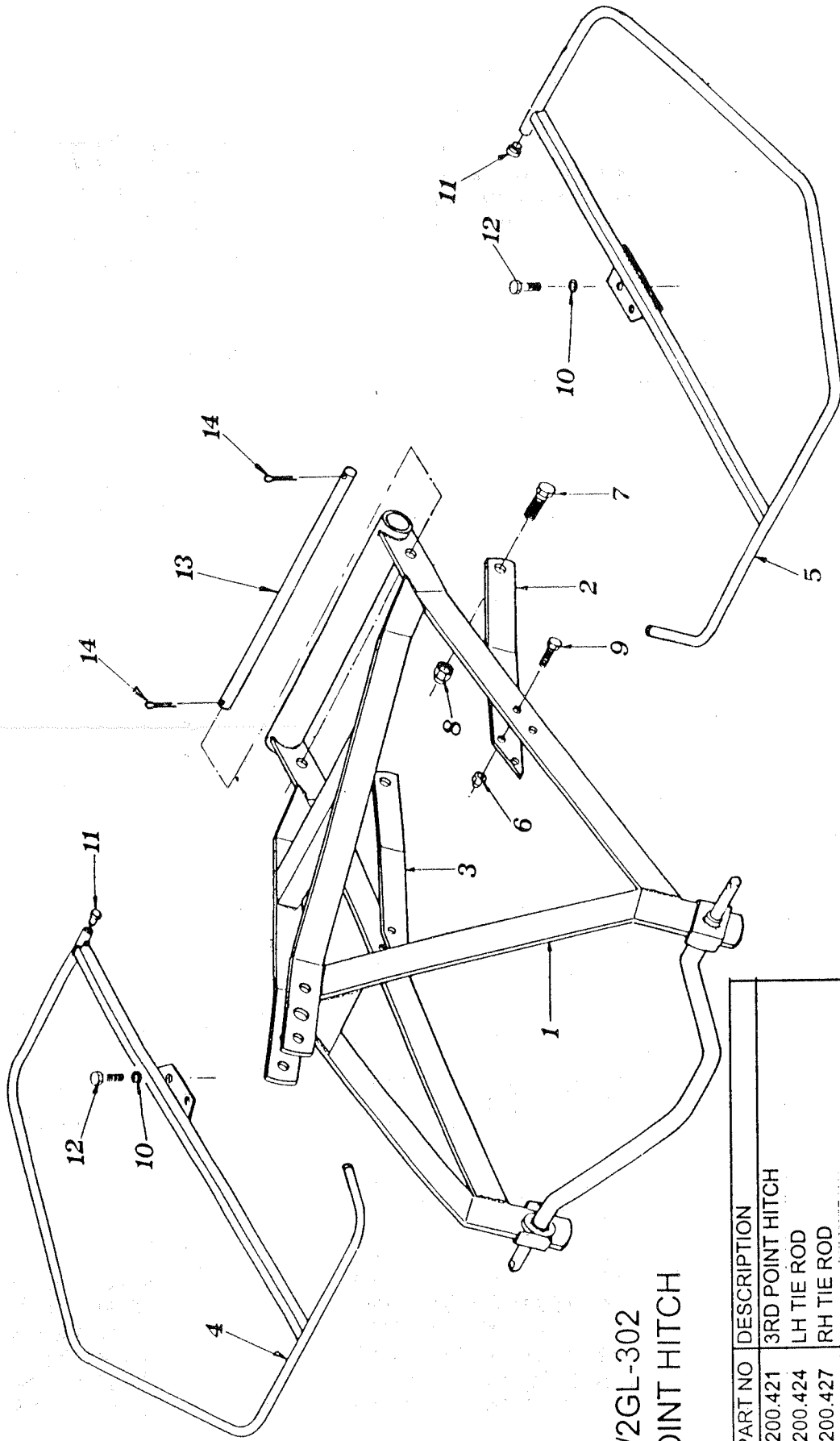


SPARE PARTS LIST

FOR CORRECT SPARE PARTS ORDER IT IS NECESSARY TO SPECIFY: TABLE NUMBER, REFERENCE, PART NUMBER, DESCRIPTION AND QUANTITY OF PARTS REQUIRED.

ITEMS DESCRIBED AS R.H. AND L.H. ARE MEANT FACING REAR OF MACHINE.

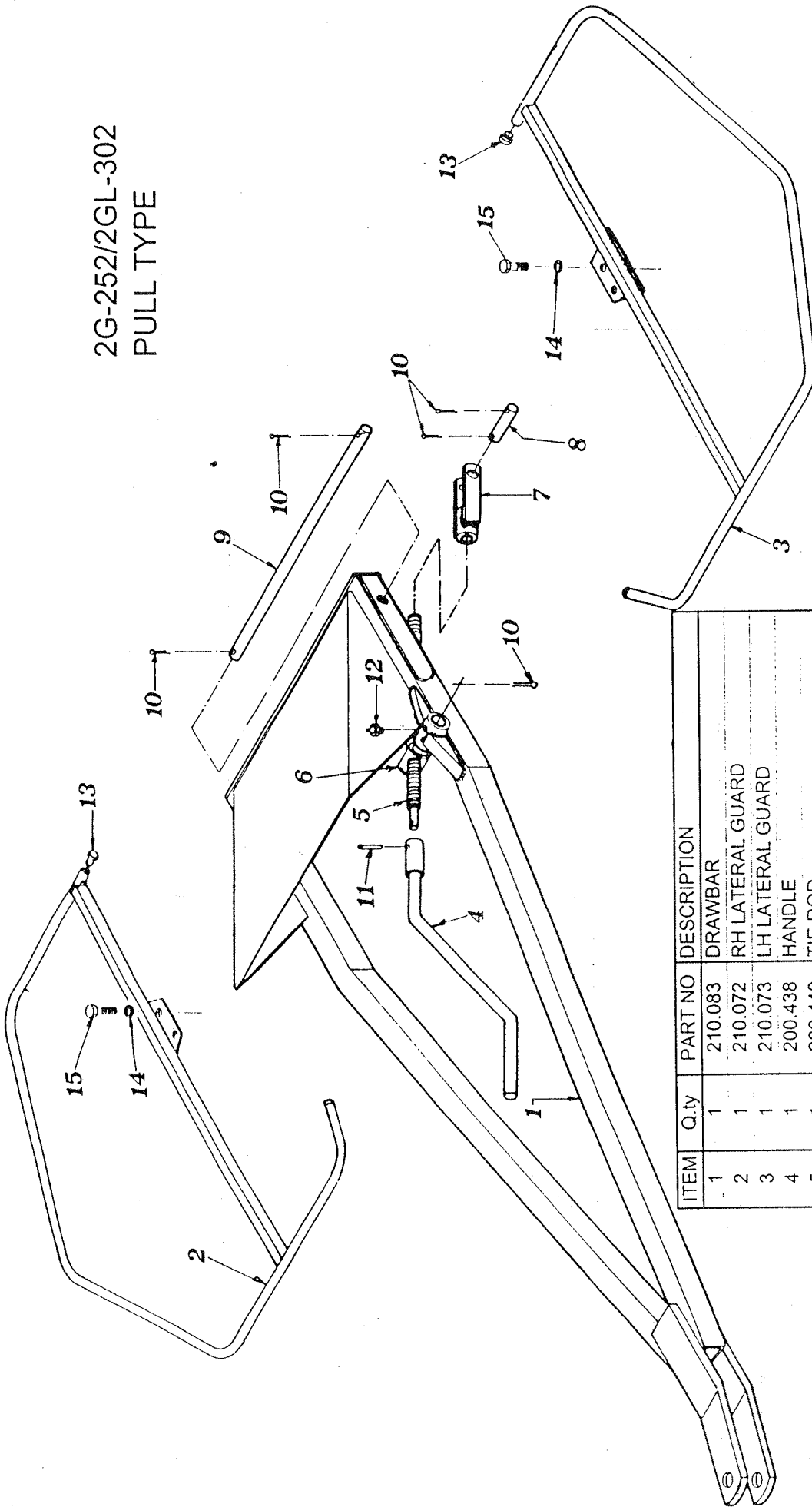


2G-252/2GL-302
3RD POINT HITCH

ITEM	Q.ty	PART NO	DESCRIPTION
1	1	200.421	3RD POINT HITCH
2	1	200.424	LH TIE ROD
3	1	200.427	RH TIE ROD
4	1	210.072	RH LATERAL GUARD
5	1	210.073	LH LATERAL GUARD
6	4	600.077	NUT
7	2	600.578	SCREW
8	2	600.240	NUT
9	4	600.443	SCREW
10	4	600.634	WASHER
11	4	600.854	PLUG
12	2	600.441	SCREW
13	1	200.430	PIN
14	2	600.112	SPLIT PIN

TABLE NO.920.009/a

2G-252/2GL-302
PULL TYPE



ITEM	Q.ty	PART NO	DESCRIPTION
1	1	210.083	DRAWBAR
2	1	210.072	RH LATERAL GUARD
3	1	210.073	LH LATERAL GUARD
4	1	200.438	HANDLE
5	1	200.440	TIE ROD
6	1	200.439	PIN
7	1	200.441	FORK
8	1	200.442	PIN
9	1	210.082	PIN
10	6	600.112	SPLIT PIN
11	1	600.580	PIN
12	1	600.124	GREASE NIPPLE
13	4	600.854	PLUG
14	4	600.634	WASHER
15	4	600.441	SCREW

TABLE NO.920.010

ST/384-520
3RD POINT HITCH

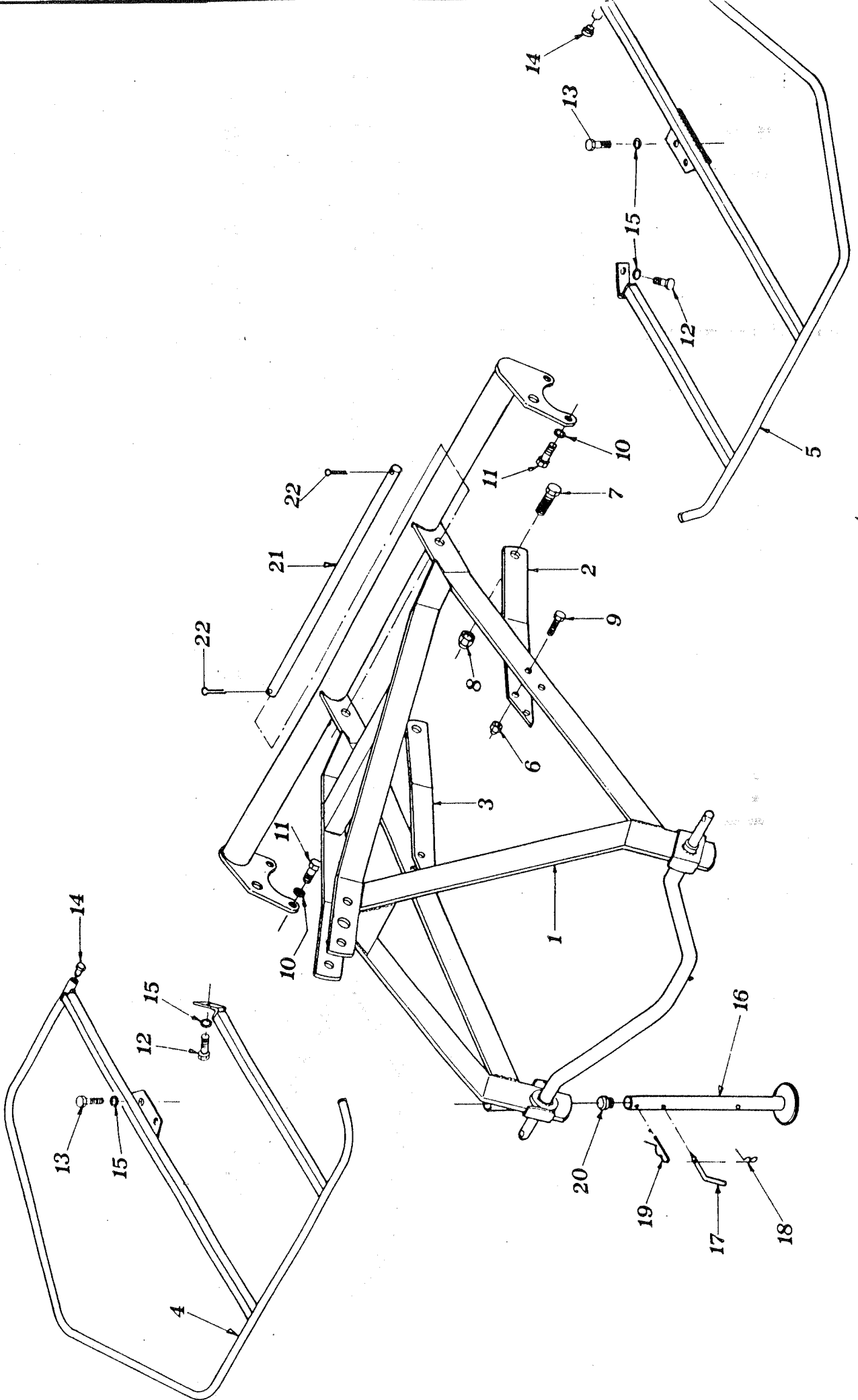


TABLE NO. 920.011/a					
ST 384/ST 520 - 3RD POINT HITCH					
ITEM	ST384 Q.ty	ST520 Q.ty	PART NO	DESCRIPTION	NOTE
1	1	-	200.422	3RD POINT HITCH	ST/384
1	-	1	200.423	3RD POINT HITCH	ST/520
2	1	-	200.425	LH TIE ROD	ST/384
2	-	1	200.426	LH TIE ROD	ST/520
3	1	-	200.428	RH TIE ROD	ST/384
3	-	1	200.429	RH TIE ROD	ST/520
4	1	-	210.080	RH LATERAL GUARD	ST/384
4	-	1	210.076	RH LATERAL GUARD	ST/520
5	1	-	210.081	LH LATERAL GUARD	ST/384
5	-	1	210.077	LH LATERAL GUARD	ST/520
6	4	4	600.077	NUT	
7	2	2	600.578	SCREW	
8	2	2	600.240	NUT	
9	4	4	600.443	SCREW	
10	4	4	600.633	WASHER	
11	4	4	600.442	SCREW	
12	2	2	600.770	SCREW	
13	4	4	600.441	SCREW	
14	4	4	600.854	PLUG	
15	6	6	600.634	WASHER	
16	1	-	210.026	STAND	ST/384
16	-	1	210.064	STAND	ST/520
17	1	1	200.328	PIN	
18	1	1	600.019	PIN	
19	1	1	600.020	PIN	
20	1	1	200.309	PLUG	
21	1	-	200.430	PIN	ST/384
21	-	1	200.431	PIN	ST/520
22	2	2	600.112	SPLIT PIN	

ST/384-520
PULL TYPE

TABLE NO.920.007

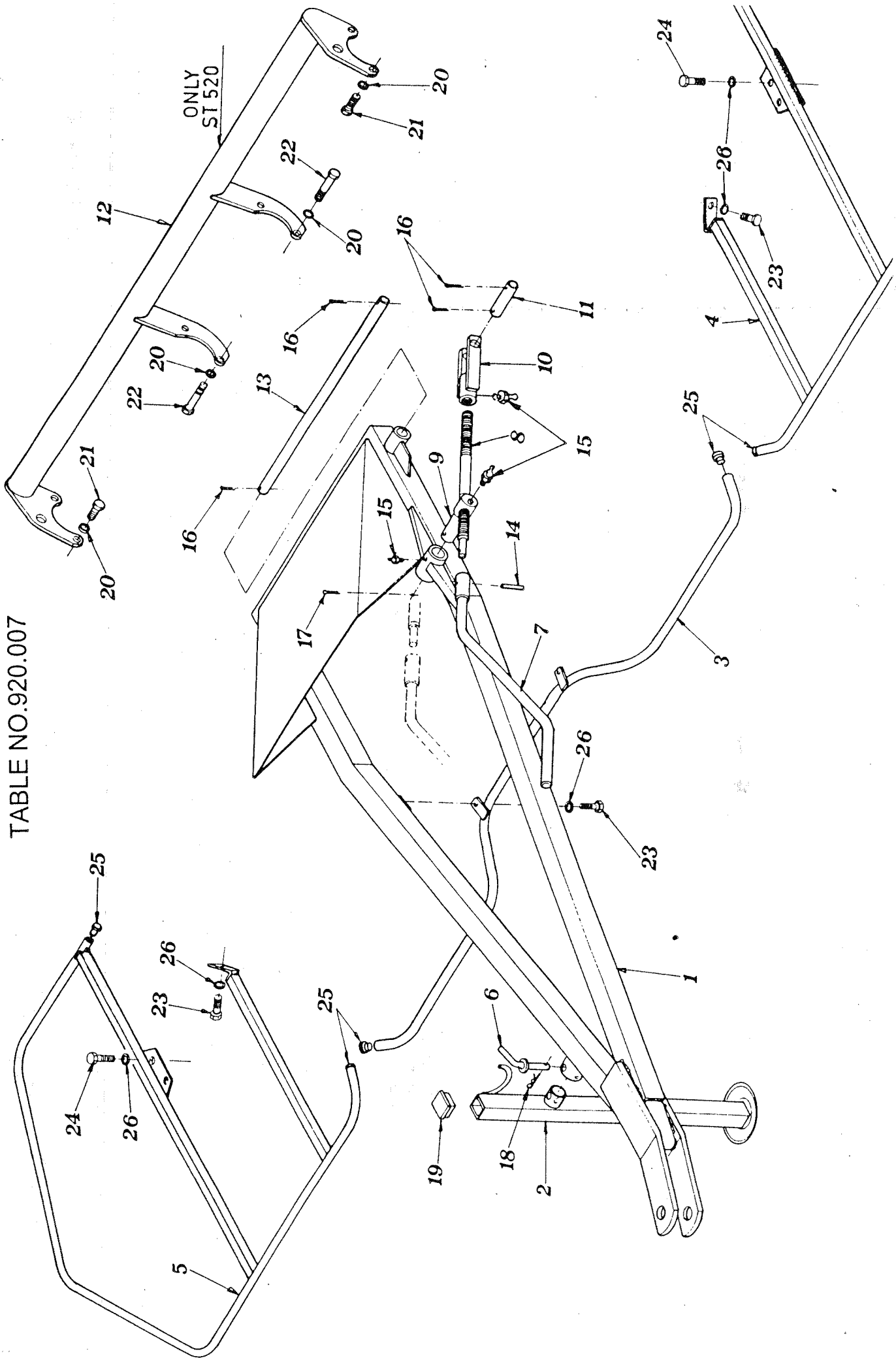


TABLE NO. 920.007

ST 384/ST 520 PULL TYPE

ITEM	ST384 Q.ty	ST520 Q.ty	PART NO	DESCRIPTION	NOTE
1	1	-	210.248	DRAWBAR	ST/384
1	-	1	200.436/c	DRAWBAR	ST/520
2	1	1	200.946	STAND	
3	1	-	200.960	CENTER GUARD	ST/384
3	-	1	200.958	CENTER GUARD	ST/520
4	1	-	210.081	LH LATERAL GUARD	ST/384
4	-	1	210.077	LH LATERAL GUARD	ST/520
5	1	-	210.080	RH LATERAL GUARD	ST/384
5	-	1	210.076	RH LATERAL GUARD	ST/520
6	1	1	200.959	PIN	
7	1	1	200.438	HANDLE	
8	1	1	200.766	TIEROD	
9	1	1	200.768	PIN	
10	1	1	200.769	FORK	
11	1	1	200.442	PIN	
12	-	1	210.304	REINFORCEMENT	ST520
13	1	-	210.319	PIN	ST/384
13	-	1	200.445	PIN	ST/520
14	1	1	600.580	SPRING PIN	
15	3	3	600.124	GREASE NIPPLE	
16	4	4	600.112	SPLIT PIN	
17	1	1	600.548	SPLIT PIN	
18	1	1	600.019	PIN	
19	1	1	600.817	PLUG	
20	-	8	600.633	WASHER	ST/520
21	-	4	600.442	SCREW	ST/520
22	-	4	600.153	SCREW	ST/520
23	4	4	600.770	SCREW	
24	4	4	600.441	SCREW	
25	6	6	600.854	PLUG	
26	8	8	600.634	WASHER	

TABLE PART NO 920.012

2G-252/2GL-302

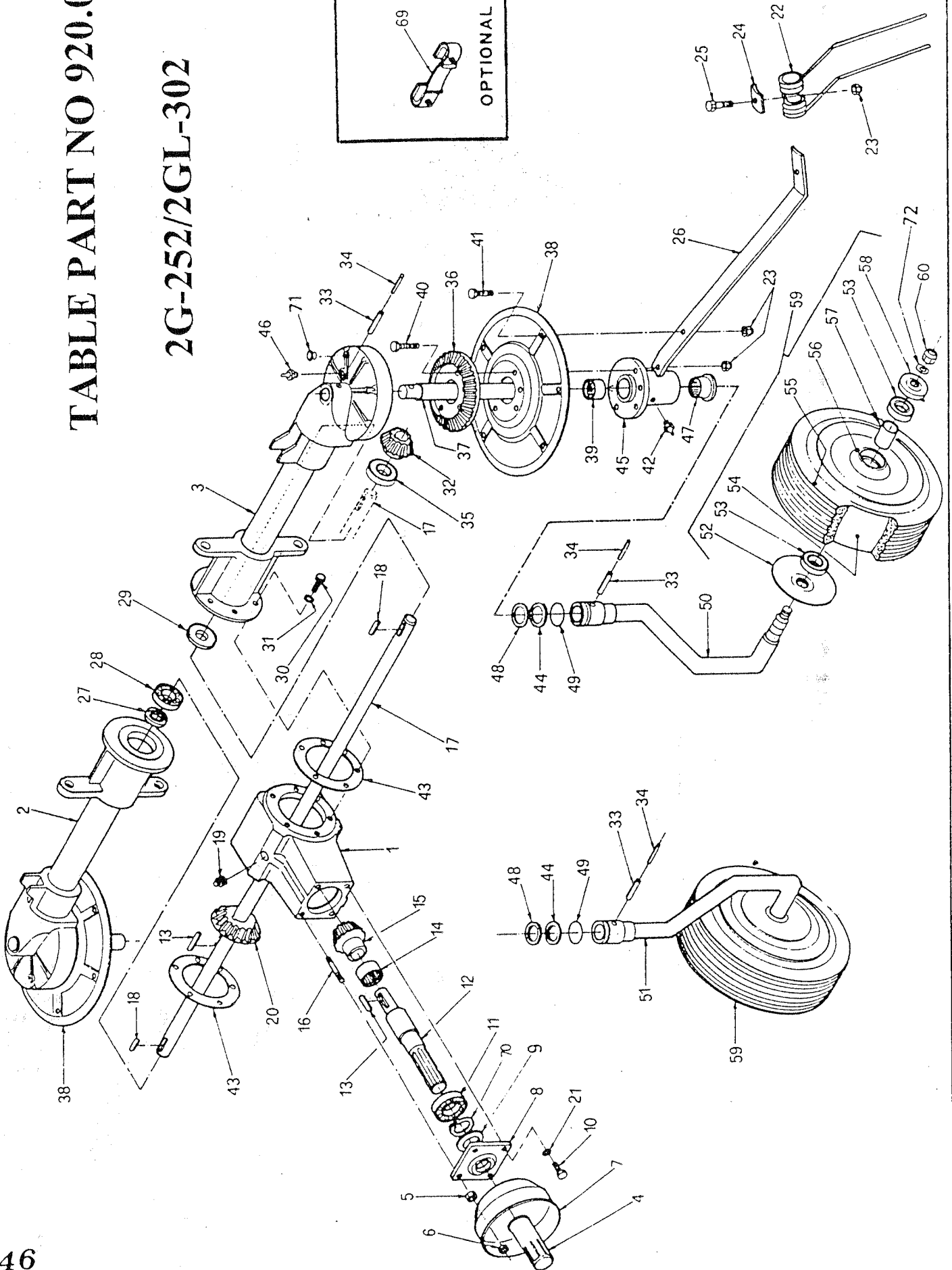
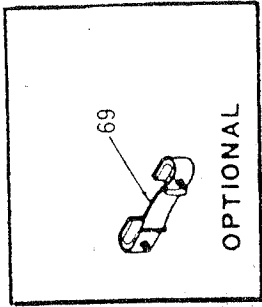
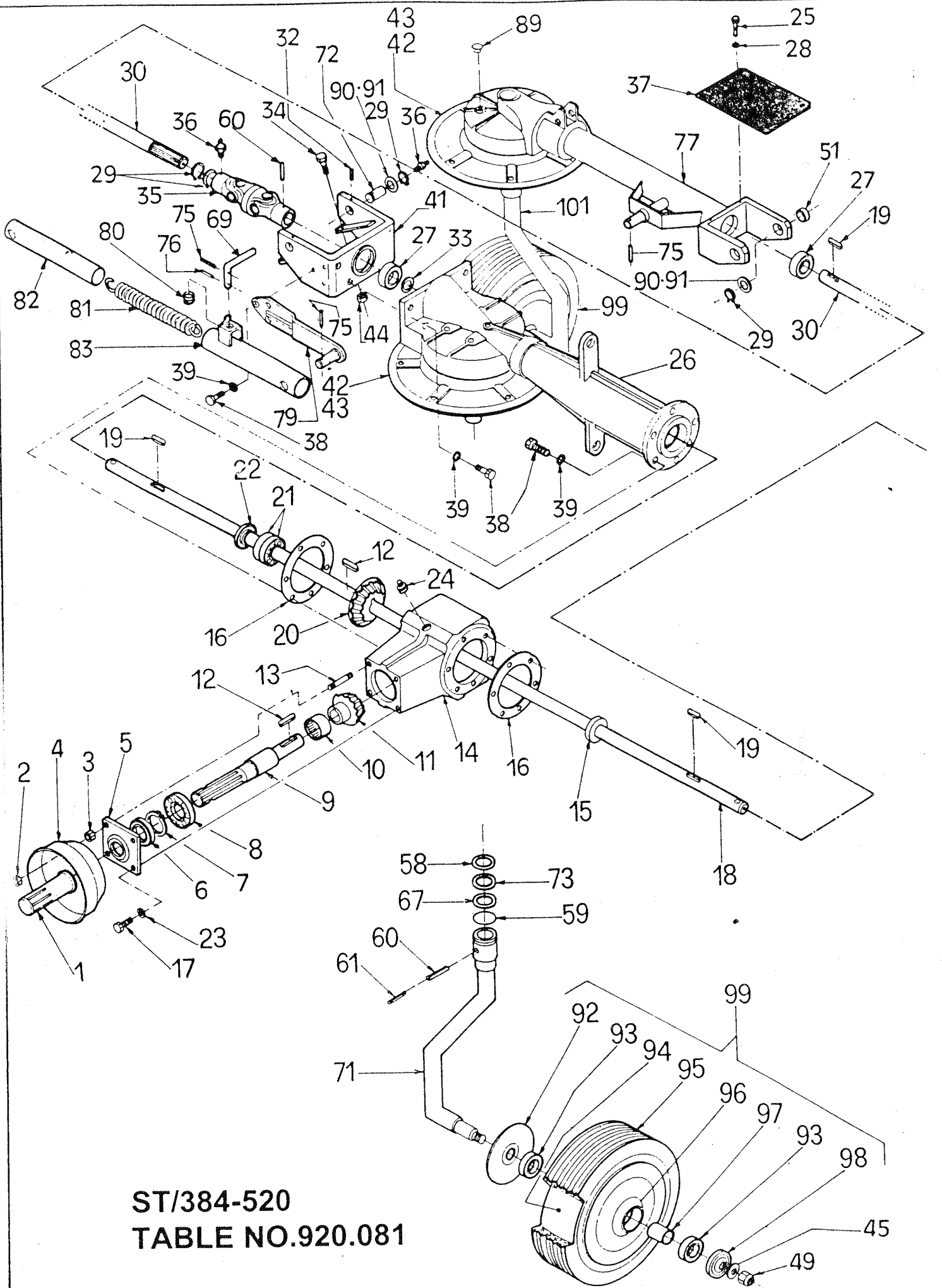


TABLE NO 920.012											
2G-252/2GL-302											
ITEM	2G Q.ty	2GL Q.ty	PART NO	DESCRIPTION	NOTE	ITEM	Q.ty	Q.ty	PART NO	DESCRIPTION	NOTE
1	1	1	200.390	GEARBOX		31	12	12	600.633	WASHER	
2	1	*	200.391/a	LH ROTOR AXLE	2G	32	2	*	200.464	PINION	2G
2	*	1	200.392/a	LH ROTOR AXLE	2GL	32	*	2	200.420	PINION	2GL
3	1	*	200.393/a	RH ROTOR AXLE	2G	33	4	4	600.541	SPRING PIN	
3	*	1	200.394/a	RH ROTOR AXLE	2GL	34	4	4	600.562	SPRING PIN	
4	1	1	600.172	SHAFT GUARD		35	2	2	600.609	BEARING	2G
5	2	2	600.552	NUT		36	2	*	200.470	CROWN	2GL
6	2	2	600.037	NUT		36	*	2	200.406	CROWN	2GL
7	1	1	600.681	HOOD		37	2	2	200.407	ROTOR SHAFT	
8	1	1	200.395	GEARBOX LOCK PLATE		38	2	*	200.408	TINE DISC	2G
9	1	1	600.555	OIL RETAINER		38	*	2	200.409	TINE DISC	2GL
10	2	2	600.222	SCREW		39	2	2	600.563	BEARING	
11	1	1	600.327	BEARING		40	12	12	600.564	SCREW	
12	1	1	200.396	SHAFT		41	12	12	600.616	SCREW	
13	2	2	600.556	TAB		42	2	2	600.247	GREASE NIPPLE	
14	1	1	600.557	BEARING		43	2	2	200.405	GASKET	
15	1	1	200.397	PINION		44	2	2	200.475	SHIM	
16	2	2	600.558	BOLT		45	2	2	200.410/a	HUB	
17	1	*	200.398	DRIVE SHAFT	2G	46	2	2	600.247	GREASE NIPPLE	
17	*	1	200.399	DRIVE SHAFT	2GL	47	2	2	600.567	BEARING	
18	2	2	600.559	TAB		48	2	2	200.411	SHIM	
19	2	2	600.560	OIL CAP		49	2	2	600.568	GASKET	
20	1	1	200.400	CROWN		50	1	1	210.591	LH TIRE,SUPPORT	2G-252/2GL-302 PULL TYPE
21	2	2	600.228	WASHER		51	1	1	210.590	RH TIRE,SUPPORT	2G-252/2GL-302 PULL TYPE
22	12	12	200.401	TINE		52	2	2	210.592	INSIDE DUST COVER	
23	36	36	600.077	NUT		53	4	4	600.602	BEARING	
24	12	12	200.402	PLATE		54	2	2	610.274	TUBE	
25	12	12	600.688	SCREW		55	2	2	610.275	TIRE	
26	12	*	200.403	TINE ARM		56	2	2	610.273	RIM	
26	*	12	200.404	TINE ARM		57	2	2	200.415	SPACER	
27	1	1	600.582	OIL RETAINER		58	2	2	200.416	OUTER DUST COVER	
28	1	1	600.579	BEARING		59	2	2	610.272	TIRE ASSY	
29	1	1	600.561	OIL RETAINER		60	2	2	600.080	NUT	
30	12	12	600.615	SCREW		69	12	12	200.640	TINE LOCK (OPTIONAL)	
						70	1	1	600.333	SNAP RING	
						71	4	4	600.896	PLUG	Only machine without guards
						72	2	2	600.031	WASHER	



ST/384-520
 TABLE NO.920.081

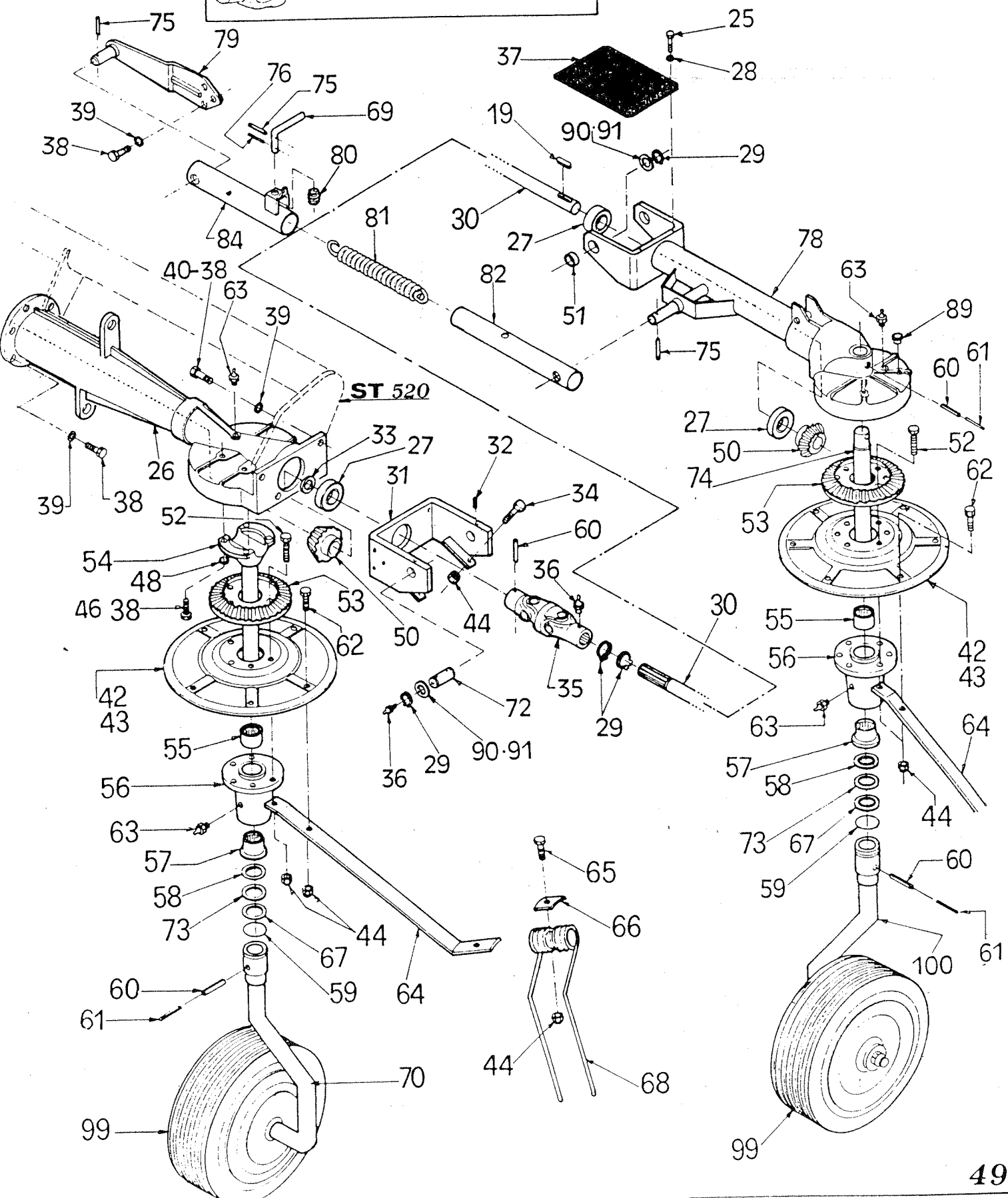
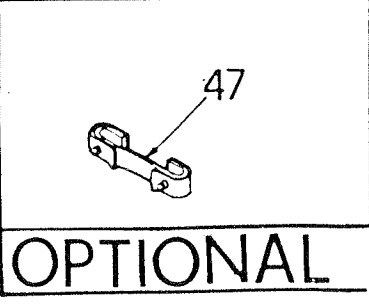
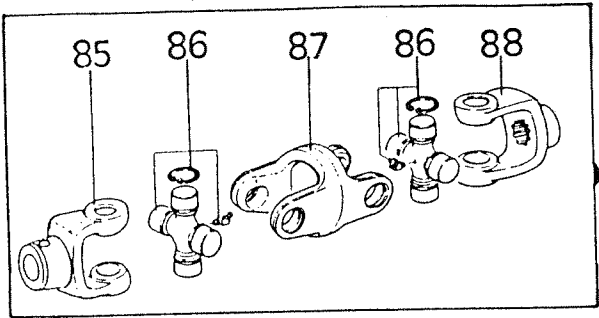


TABLE NO.920.081

ST384/ST520

ITEM	ST384 Q.ty	ST520 Q.ty	PART NO	DESCRIPTION	NOTE
1	1	1	600.172	SHAFT GUARD	
2	2	2	600.037	NUT	
3	1	2	600.552	NUT	
4	2	1	600.681	HOOD	
5	1	1	200.395	GEARBOX CAP	
6	1	1	600.555	OIL RETAINER	
7	1	1	600.333	SNAP RING	
8	1	1	600.327	BEARING	
9	1	1	200.396	SHAFT	
10	1	1	600.557	BEARING	
11	1	1	200.397	SHAFT	
12	2	2	600.556	TAP	
13	2	2	600.558	BOLT	
14	1	1	200.390	GEARBOX	
15	1	1	600.561	OIL RETAINER	
16	2	2	200.405	GASKET	
17	2	2	600.222	SCREW	
18	1	-	200.949	DRIVE SHAFT	
18	-	1	200.853	DRIVE SHAFT	
19	4	4	600.559	TAP	
20	1	1	200.400	CROWN	
21	1	2	600.579	BEARING	
22	1	1	600.582	OIL RETAINER	
23	2	2	600.228	SPRING WASHER	
24	2	2	600.560	CAP	
25	8	8	600.061	SCREW	
26	-	2	210.056	ROTOR AXLE	
26	2	-	200.452	ROTOR AXLE	
27	6	6	600.609	BEARING	
28	8	8	600.115	WASHER	
29	12	12	600.611	SNAP RING	
30	2	-	200.950/A	LATERAL SHAFT	
30	-	2	200.852/A	LATERAL SHAFT	
31	1	1	200.924	L.H. HINGE	
32	4	4	600.809	SCREW	
33	2	2	200.851	SHIM	
34	4	4	600.153	SCREW	
35	2	2	200.857	JOINT	
36	6	6	600.124	GREASE NIPPLE	
37	2	2	200.862	GUARD	
38	26	30	600.615	SCREW	
39	26	26	600.633	WASHER	
40	4	4	600.442	SCREW	
41	1	1	200.923	R.H.HINGE	
42	-	4	200.408	TINE DISC	
43	4	-	200.466	TINE DISC	
44	52	76	600.077	NUT	
45	4	4	600.031	WASHER	
46	4	-	600.004	SCREW	
47	16	24	200.640	TINE LOCK	OPTIONAL
48	8	8	600.049	WASHER	
49	4	4	600.080	NUT	
50	4	4	200.464	PINION	
51	4	4	600.808	BUSHING	
52	16	24	600.564	SCREW	
53	4	-	200.627	CROWN	
53	-	4	200.470	CROWN	
54	2	2	200.471	PIN	

ITEM	ST384 Q.ty	ST520 Q.ty	PART NO	DESCRIPTION	NOTE
55	4	4	600.563	BEARING	
56	4	*	200.472/A	HUB	ST/384
56	*	4	200.410/A	HUB	ST/520
57	4	4	600.567	BEARING	
58	4	4	200.411	SHIM	
59	4	4	600.568	GASKET	
60	8	8	600.541	SPRING PIN	
61	6	6	600.562	SPRING PIN	
62	16	24	600.616	SCREW	
63	8	8	600.247	GREASE NIPPLE	
64	16	*	200.473	TINE ARM	ST/384
64	*	24	200.403	TINE ARM	ST/520
65	16	24	600.688	SCREW	
66	16	24	200.402	PLATE	
67	4	4	200.490	SHIM	
68	16	24	200.401	TINE	
69	2	2	200.932	PIN	
70	1	1	210.593	L.H. CENTER SUPPORT	ST/384-520 PULL TYPE
71	1	1	210.592	R.H. CENTER SUPPORT	ST/384-520 PULL TYPE
72	4	4	200.850	PIN	
73	4	4	200.475	SHIM	
74	2	2	200.407	PIN	
75	6	6	600.539	SPRING PIN	
76	2	2	600.580	SPRING PIN	
77	1	*	200.955/A	R.H. SIDE AXLE	ST/384
77	*	1	200.925/A	R.H. SIDE AXLE	ST/520
78	1	*	200.956/A	L.H. SIDE AXLE	ST/384
78	*	1	200.926/A	L.H. SIDE AXLE	ST/520
79	2	2	200.927	SPRING HITCH	
80	2	2	200.280	SPRING	
81	1	1	200.772	SPRING	
82	2	2	200.931	INNER PIPE	
83	1	1	200.929	OUTER R.H. PIPE	
84	1	1	200.930	OUTER L.H. PIPE	
85	2	2	600.813	FORK	
86	4	4	600.814	CROSS, COMPLETE	
87	2	2	600.815	CENTER JOINT	
88	2	2	600.816	SPLINED FORK	
89	4	4	600.896	PLUG	Only machine without guards
90	4	4	200.272	SHIM	
91	4	4	200.273	SHIM	
92	4	4	210.596	DUST COVER, INNER	
93	8	8	600.602	BEARING	
94	4	4	610.274	TUBE	
95	4	4	610.275	TIRE	
96	4	4	610.273	RIM	
97	4	4	200.415	SPACER	
98	4	4	200.416	DUST COVER, OUTER	
99	4	4	610.272	TIRE ASSY	
100	1	1	210.591	L.H. LATERAL SUPPORT	ST/384-520 PULL TYPE
101	1	1	210.590	R.H. LATERAL SUPPORT	ST/384-520 PULL TYPE

ST384 ST520
3RD POINT HITCH

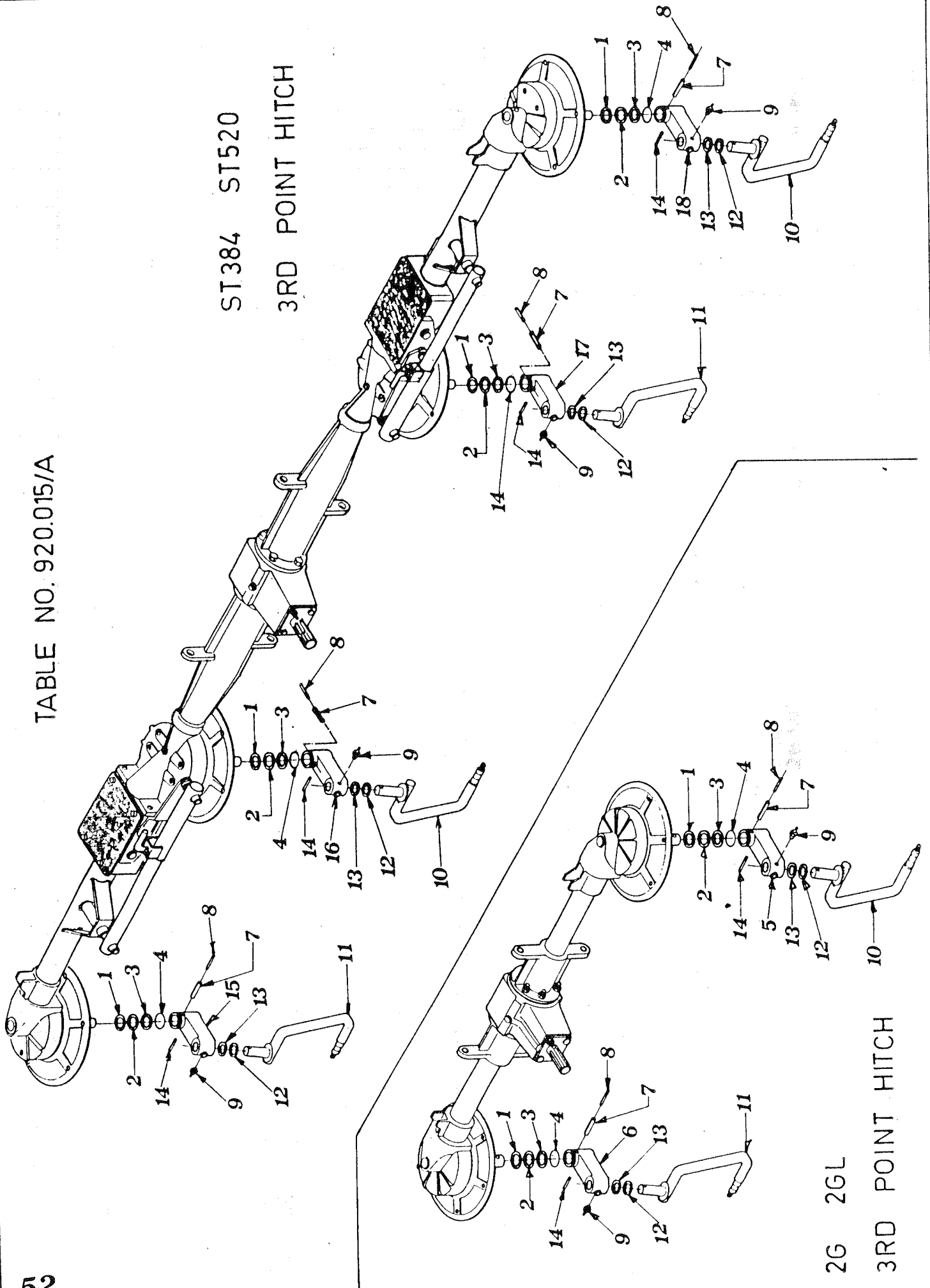
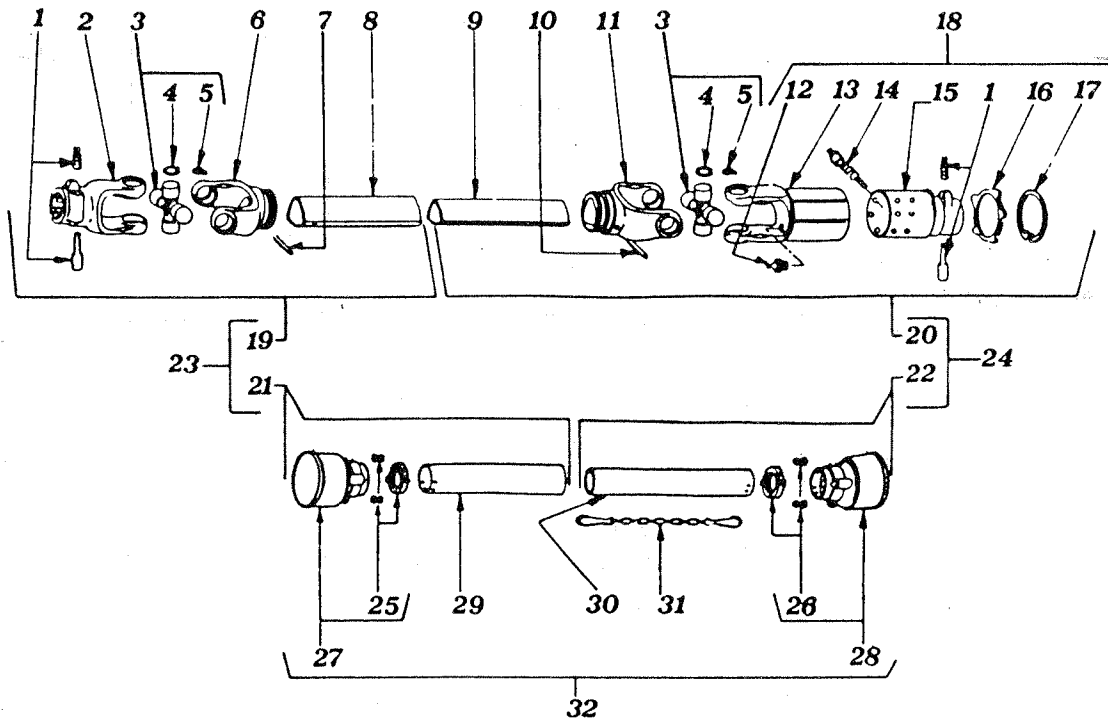


TABLE NO.920.015/A					
2/G 2/GL ST/384 ST/520 3RD POINT HITCH(WHEEL BRACKET)					
ITEM	2G/2GL Q.ty	ST384-520 Q.ty	PART NO	DESCRIPTION	NOTE
1	2	4	200.411	SHIM	
2	2	4	200.475	SHIM	
2	2	4	200.419	SHIM	
3	2	4	200.490	SHIM	
4	2	4	600.568	GASKET	
5	1	*	200.468	SUPPORT,L.H.	2G-2GL
6	1	*	200.467	SUPPORT,R.H.	2G-2GL
7	2	4	600.541	SPRING PIN	
8	2	4	600.562	SPRING PIN	
9	2	4	600.124	GREASE NIPPLE	
10	1	*	210.632	L.H. TIRE BRACKET	2G-2GL
10	*	2	210.632	L.H. TIRE BRACKET	ST/384-520
11	1	*	210.631	R.H. TIRE BRACKET	2G-2GL
11	*	2	210.631	R.H. TIRE BRACKET	ST/384-520
12	2	4	200.273	SHIM	
13	2	4	200.272	SHIM	
14	2	4	600.539	SPRING PIN	
15	*	1	200.417/1	R.H. LATERAL SUPPORT	ST/384-520
16	*	1	200.417	R.H. CENTER SUPPORT	ST/384-520
17	*	1	200.418	L.H. CENTER SUPPORT	ST/384-520
18	*	1	200.418/1	L.H. LATERAL SUPPORT	ST/384-520

CARDAN SHAFT B2 090 E + LW2
 PART NO.600.732
 2G/2GL 3RD POINT HITCH

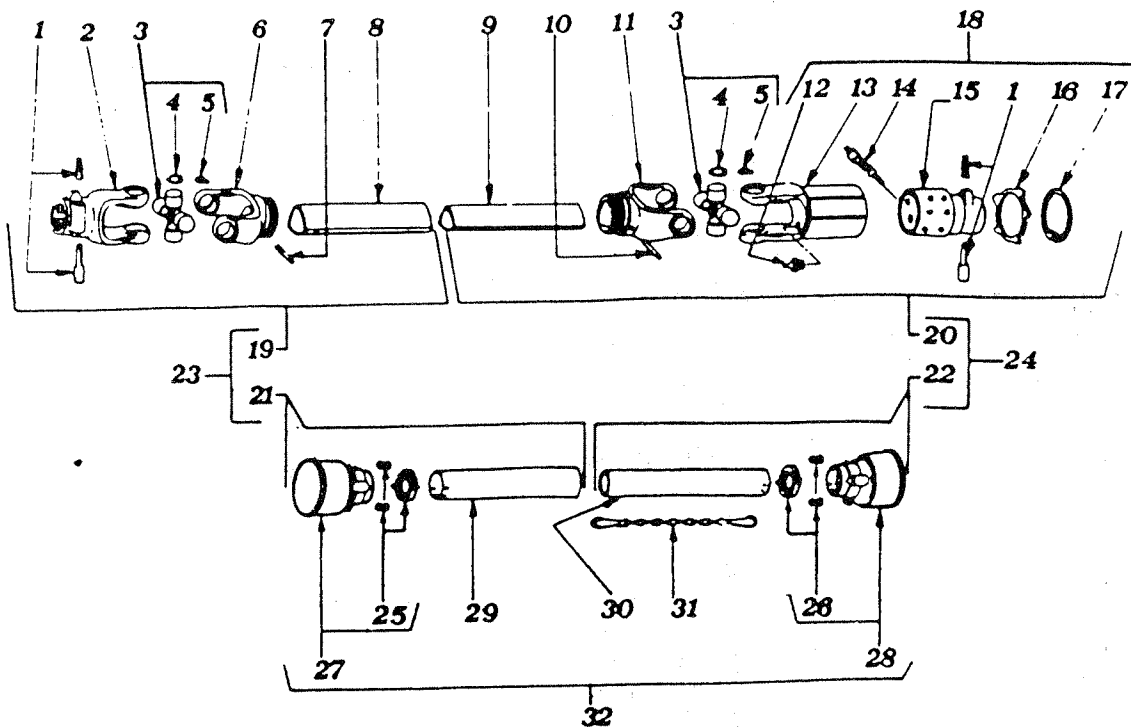


CARDAN SHAFT 600.732				
ITEM	PART NO	Q.ty	DESCRIPTION	NOTE
1	610.057	2	COMPLETE PUSH BUTTON	
2	610.051	1	YOKE	
3	610.052	2	CROSS JOURNAL ASS.	
4	610.248	8	CIRCLIP	
5	610.206	2	GREASE NIPPLE	
6	610.249	1	OUTER TUBE YOKE	
7	610.211	1	FLEXIBLE PIN	
8	610.210	1	CM. CARDAN TUBE	
9	610.123	1	CM. CARDAN TUBE	
10	600.027	1	FLEXIBLE PIN	
11	610.250	1	INNER TUBE YOKE	
12	610.216	1	GREASE NIPPLE	
13	610.251	1	OUTER CASING WITH YOKE	
14	610.218	16	RATCHET TOOTH	
15	610.252	1	HUB	
16	610.220	1	REATING WASHER	
17	610.253	1	CIRCLIP	
18	610.146	1	TORQUE LW2	
19	610.404	1	HALF SHAFT (WITHOUT GUARD)	
20	610.430	1	HALF SHAFT (WITHOUT GUARD)	
21	610.428	1	HALF SAFETY GUARD	
22	610.429	1	HALF SAFETY GUARD	
23	610.431	1	HALF SHAFT (WITH GUARD)	
24	610.432	1	HALF SHAFT (WITH GUARD)	
25	610.060	1	O. BEARING	
26	610.061	1	I. BEARING	
27	610.062	1	O. BASIC CONE	
28	610.063	1	I. BASIC CONE	
29	610.402	1	CM. SAFETY TUBE	
30	610.403	1	CM. SAFETY TUBE	
31	610.068	1	CHAINE	
32	610.069	1	SAFETY GUARD	

CARDAN SHAFT B2 130 E + LW2

PART NO.600.680

2G/2GL PULL TYPE

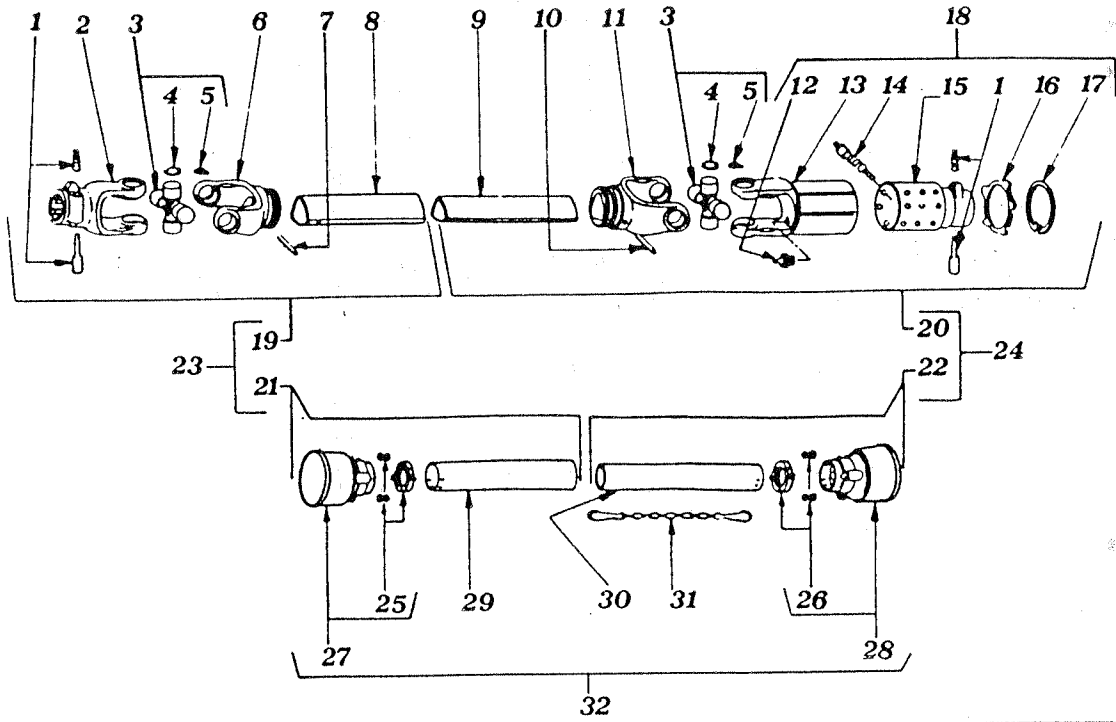


CARDAN SHAFT 600.680				
ITEM	PART NO	Q.ty	DESCRIPTION	NOTE
1	610.057	2	COMPLETE PUSH BUTTON	
2	610.051	1	YOKE	
3	610.052	2	CROSS JOURNAL ASS.	
4	610.248	8	CIRCLIP	
5	610.206	2	GREASE NIPPLE	
6	610.249	1	OUTER TUBE YOKE	
7	610.211	1	FLEXIBLE PIN	
8	610.210	1	CM. CARDAN TUBE	
9	610.123	1	CM. CARDAN TUBE	
10	600.027	1	FLEXIBLE PIN	
11	610.250	1	INNER TUBE YOKE	
12	610.216	1	GREASE NIPPLE	
13	610.251	1	OUTER CASING WITH YOKE	
14	610.218	16	RATCHET TOOTH	
15	610.252	1	HUB	
16	610.220	1	REATING WASHER	
17	610.253	1	CIRCLIP	
18	610.146	1	TORQUE LW2	
19	610.254	1	HALF SHAFT (WITHOUT GUARD)	
20	610.255	1	HALF SHAFT (WITHOUT GUARD)	
21	610.256	1	HALF SAFETY GUARD	
22	610.257	1	HALF SAFETY GUARD	
23	610.258	1	HALF SHAFT (WITH GUARD)	
24	610.259	1	HALF SHAFT (WITH GUARD)	
25	610.060	1	O. BEARING	
26	610.061	1	I. BEARING	
27	610.062	1	O. BASIC CONE	
28	610.063	1	I. BASIC CONE	
29	610.260	1	CM. SAFETY TUBE	
30	610.261	1	CM. SAFETY TUBE	
31	610.068	1	CHaine	
32	610.262	1	SAFETY GUARD	

CARDAN SHAFT B3 090E + LW3

PART NO.610.097

ST 384/520 3RD POINT HITCH

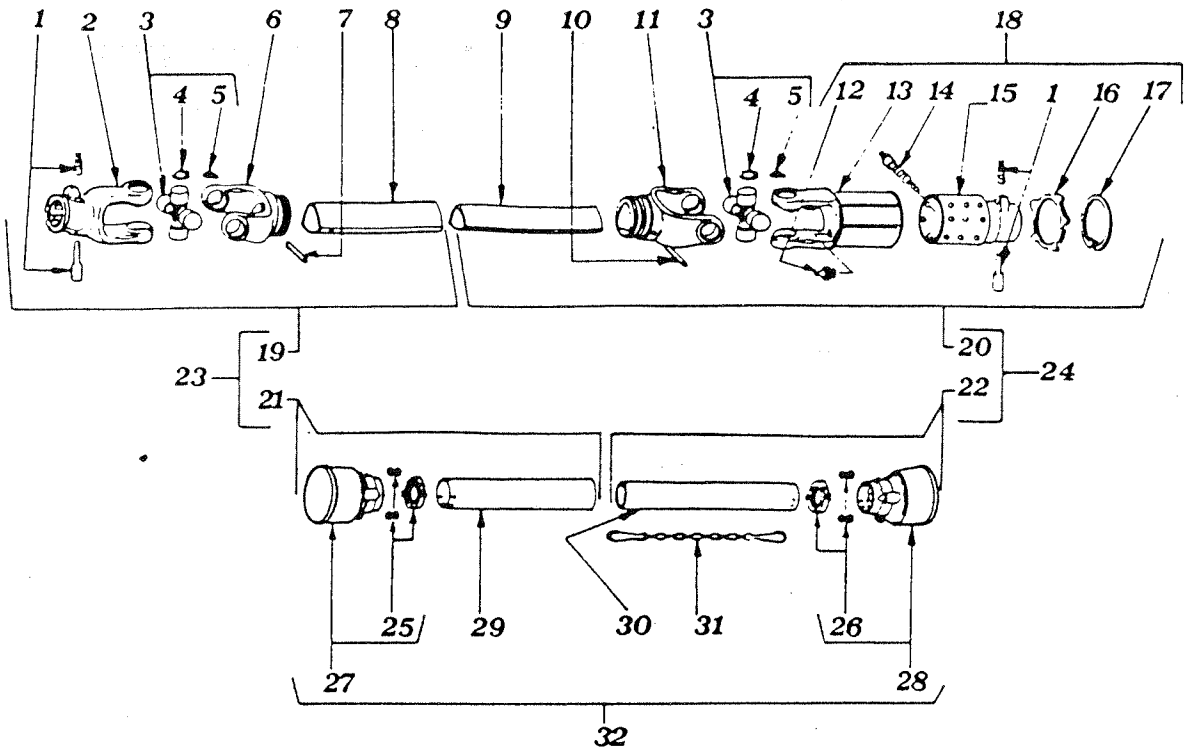


CARDAN SHAFT 610.097			
ITEM	PART NO	Q.ty	DESCRIPTION
1	610.057	2	COMPLETE PUSH BUTTON
2	610.071	1	YOKE
3	610.070	2	CROSS JOURNAL ASS.
4	610.205	8	CIRCLIP
5	610.206	2	GREASE NIPPLE
6	610.207	1	OUTER TUBE YOKE
7	610.208	1	FLEXIBLE PIN
8	610.209	1	CM. CARDAN TUBE
9	610.210	1	CM. CARDAN TUBE
10	610.211	1	FLEXIBLE PIN
11	610.212	1	INNER TUBE YOKE
12	610.216	1	GREASE NIPPLE
13	610.217	1	OUTER CASING WITH YOKE
14	610.218	24	RATCHET TOOTH
15	610.219	1	HUB
16	610.220	1	REATING WASHER
17	610.221	1	CIRCLIP
18	610.213	1	TORQUE LW3
19	610.341	1	HALF SHAFT (WITHOUT GUARD)
20	610.342	1	HALF SHAFT (WITHOUT GUARD)
21	610.082	1	HALF SAFETY GUARD
22	610.083	1	HALF SAFETY GUARD
23	610.426	1	HALF SHAFT (WITH GUARD)
24	610.427	1	HALF SHAFT (WITH GUARD)
25	610.078	1	O. BEARING
26	610.079	1	I. BEARING
27	610.080	1	O. BASIC CONE
28	610.081	1	I. BASIC CONE
29	610.338	1	CM. SAFETY TUBE
30	610.339	1	CM. SAFETY TUBE
31	610.068	1	CHaine
32	610.086	1	SAFETY GUARD

CARDAN SHAFT B3 130E + LW3

PART NO. 610.096

ST/384-ST/520 PULL TYPE



CARDAN SHAFT 610.096			
ITEM	PART NO	Q.ty	DESCRIPTION
1	610.057	2	COMPLETE PUSH BUTTON
2	610.071	1	YOKE
3	610.070	2	CROSS JOURNAL ASS.
4	610.205	8	CIRCLIP
5	610.206	2	GREASE NIPPLE
6	610.207	1	OUTER TUBE YOKE
7	610.208	1	FLEXIBLE PIN
8	610.209	1	CM. CARDAN TUBE
9	610.210	1	CM. CARDAN TUBE
10	610.211	1	FLEXIBLE PIN
11	610.212	1	INNER TUBE YOKE
12	610.216	1	GREASE NIPPLE
13	610.217	1	OUTER CASING WITH YOKE
14	610.218	24	RATCHET TOOTH
15	610.219	1	HUB
16	610.220	1	REATING WASHER
17	610.221	1	CIRCLIP
18	610.213	1	TORQUE LW3
19	610.222	1	HALF SHAFT (WITHOUT GUARD)
20	610.223	1	HALF SHAFT (WITHOUT GUARD)
21	610.226	1	HALF SAFETY GUARD
22	610.227	1	HALF SAFETY GUARD
23	610.224	1	HALF SHAFT (WITH GUARD)
24	610.225	1	HALF SHAFT (WITH GUARD)
25	610.078	1	O. BEARING
26	610.079	1	I. BEARING
27	610.080	1	O. BASIC CONE
28	610.081	1	I. BASIC CONE
29	610.214	1	CM. SAFETY TUBE
30	610.215	1	CM. SAFETY TUBE
31	610.068	1	CHAINE
32	610.228	1	SAFETY GUARD

